

**NEW  
PRODUCT  
IN 2020**



## vSAFE VCS-SMG-SAFE

### HIGHLIGHTS

- Based on established SMGM technology
- Safe certified product
- SLS (Safe Limited Speed) 2 axis
- STO (Safe Torque Off) 2 axis
- SPOS (Safe Position) 2 axis
- Transparent communication
- Configuration via functional block (no programming)
- IR remote control
- External display

# TECHNICAL DATA SHEET

## VCS-SMG-SAFE

### ELECTRICAL DATA

- Supply voltage 24VDC  $\pm 10\%$   
(reverse voltage protection)
- Power consumption max. 500 mA  
< 12W

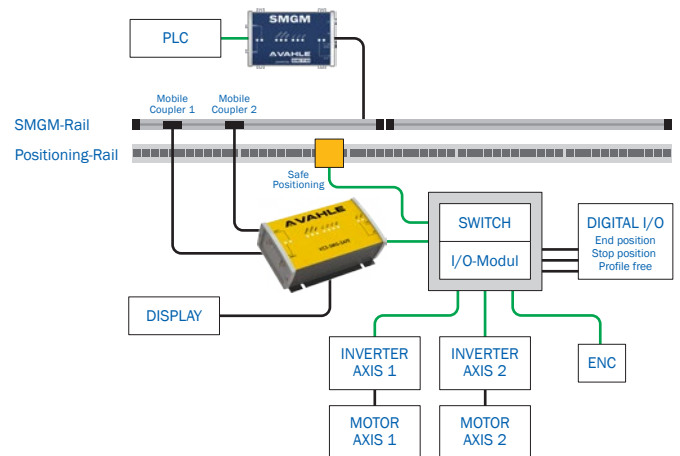
### MECHANICAL DATA

- Dimensions 203x128x63.4 mm
- Mounting holes 130x112.5 mm
- Material Aluminium
- Protection rating IP54
- Installation M5 screw connection
- Operation condition 0 ... 50°C
- Environment Industrial

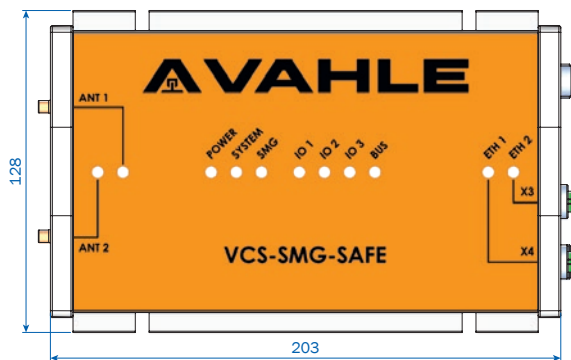
### CONNECTOR

- X1: Power supply 24V and display
- ANT1: Coupler connection 1
- ANT2: Coupler connection 2
- X3: Ethernet port 1
- X4: Ethernet port 2
- X41: HTL encoder
- X20: Safe digital IN
- X40: SSI encoder

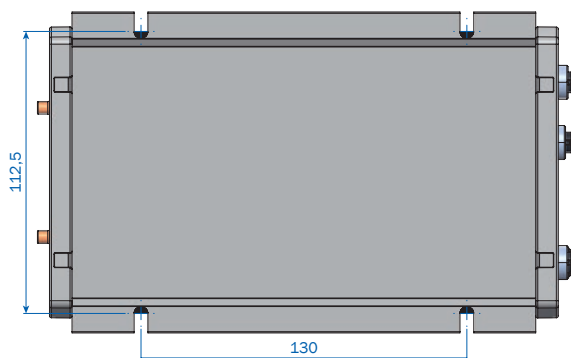
### SYSTEM OVERVIEW



### TOP VIEW



### MOUNTING OVERVIEW



### SIDE VIEW

